

Wind Power Water Pump

1Chaytanya Manepatil, 2Tarun Motwani, 3 Atharva Kharangate,
4 Kaustubh Mhatre, 5 Mangesh Bidkar

1student, 2student, 3 Student, 4 Student, 5 Lecturer

1 Department Of Mechanical Engineering,

1v.E.S Polytechnic, Chembur, India

Abstract:

In rural villages, a lack of water presents serious obstacles to community development, human health, and development. To extract drinkable water from the ground, many of these communities rely on energy-intensive machinery, like diesel engines. Nevertheless, because of the inadequate infrastructure for electricity, this strategy is not viable and is frequently unattainable. In response to this pressing issue, our project aims to explore innovative and sustainable solutions for water extraction without the need for energy-intensive machinery. We are considering the deployment of windmills, iconic tall towers that harness the power of wind to spin their blades

Index Terms – Energy-intensive machinery, inadequate infrastructure, unattainable, sustainable, windmills

Date of Submission: 13-03-2024

Date of Acceptance: 23-03-2024

I. INTRODUCTION

In an increasingly water-constrained world where the human population is expanding, our quest for sustainable solutions has brought us full circle to the power of the wind. The idea of using wind energy to power water pumps is not only a modern marvel, but it has a long history and is a timeless concept. This machine is relatively easy but efficient, using the energy of the natural world to deliver a steady supply of water without using up as much electricity as traditional pumps do.

The fundamental idea behind wind-powered water pumping is the transformation of wind energy's kinetic energy into mechanical power that can move water-lifting mechanisms. In contrast to motor-driven pumps that are dependent on outside power sources, wind-powered systems run independently by harvesting energy from the natural world. This independence not only lowers operating expenses but also fits in perfectly with the eco-friendly and sustainable philosophy that underpins modern attempts to mitigate climate change.

The mechanical components of a wind-powered water pump are as diverse as the regions and cultures that have adopted them. Traditional designs often feature iconic windmill structures with large, aerodynamic blades mounted on a rotating axis. These blades rotate in response to wind interaction, and this motion triggers a mechanical linkage that powers a pump mechanism. There are numerous pump designs available, from basic piston pumps to intricate Archimedes screw mechanisms, all of which are customized to meet the unique requirements and environmental circumstances of the community that will be using them. The development and improvement of wind-powered water pumping systems have been revitalized recently by the renewed interest in renewable energy. Engineering, aerodynamics, and material innovations have produced more effective designs that can capture wind energy in a wider range of conditions.

We employed vertical axis windmills in our project, meaning that we utilized the axis of the windmill as a vertical one. The windmills with vertical axes are:

- **Omni-directional Wind Capture:** Because vertical axis windmills can capture the wind in any direction, they are appropriate for locations with erratic or turbulent wind patterns. On the other hand, a one-way breeze is necessary for horizontal-axis windmills to generate the maximum amount of output.
- **Lower Noise Levels:** When compared to horizontal axis windmills, the vertical axis windmill's design intrinsically generates less noise. Because of this, they are better suited for urban or residential settings where noise pollution is an issue.
- **Ease of Maintenance:** With fewer moving parts and a simpler design, Vertical axis wind mills generally require less maintenance, reducing operational costs over time.

The goal of wind-powered water pumps is to capture wind energy and convert it into mechanical energy so that water can be pumped. There are several key components to this process:

- **Wind Turbine:** The main part of the system is the wind turbine, which often has blades that spin when the wind blows. The blades are spinning, capturing the energy of the wind.
- **Transmission system:** The task of converting rotational energy into mechanical power falls to the rotor, which is fixed to the blades. Then, a transmission system powers the water pump.
- **Water Pump:** Using the mechanical energy generated by the wind turbine, a water pump extracts water from the source and transfers it to a storage tank or distribution point.

Features of Water Pumps Powered by Wind

- **Environment:** Since wind-powered water pumps don't burn fossil fuels, they produce fewer greenhouse gases and have a negligible effect on the environment. They support sustainable and eco-friendly water supply practices.
- **Economy of Scale:** After installation, wind-powered water pumps require little upkeep. They are a cost-effective solution because they don't require expensive fuel or electricity, especially in rural areas.
- **Accessibility:** These pumps work well in off-grid locations with sporadic or nonexistent electricity. They increase the availability of clean water for communities that might not otherwise have access to a consistent supply.

II. LITERATURE REVIEW

Jamaludin: Using a vertical axis wind turbine (VAWT) as the prime mover, the author of this paper created a simple water pump prototype and examined the relationship between wind speed and windmill spin speed, with the pump's water flow serving as the dependent variable. He used design and experimental methods in his study. According to his research, the wind speed was lowest at night, at 2.2 m/s, and the highest, at 4.3 m/s, during the day. The pump produced 2.0347 liters of water per minute at an efficiency of 89.7%. The analysis's findings demonstrated that water discharge, windmill spin, and wind speed could all vary linearly. The stronger the wind, the more water discharge produced. [1]

Nabeel N. Al-Mayyahi: The author states that coal, oil, natural gas, nuclear energy, and wood are the principal energy sources. Each of these sources has a finite amount and is exhausted. Furthermore, they are thought to be the primary source of pollution in the environment. Owing to their drawbacks and detrimental impacts on the environment and human health, interest has shifted to alternative energy sources and the range of uses they can have. The author stated that wind energy is one of those sources; it is clean, abundant, and available today throughout the Earth's surface. Wind energy is employed in a variety of ways, including the conversion, storage, and transmission of electrical energy as well as the direct application of mechanical form to devices such as water pumps. The primary goal of the authors' research was to create a water pumping turbine that runs on wind power. The design of a pump to raise water from a well using wind energy to irrigate farms with an area of (2.5) hectares is one of the study's most significant findings. It was decided to build a two-piston pump, with the first pumping water out of the well and the second pushing it into the reserve tank. [2]

Jadhav Hitesh Ramesh: The author concludes that the size and effectiveness of the wind turbine, as well as the amount of wind present in the area, determine how much water can be pumped using wind power. Larger wind turbines can typically pump more water, but their cost may also increase. Using wind power to pump water has many advantages, such as less dependency on fossil fuels, lower operating costs, and less of an adverse effect on the environment. However, because wind power depends on the availability of wind, it can be less dependable than other energy sources like solar or grid power. As a result, in periods of low wind, it might be essential to store water or use a backup power source. [3]

III. PROBLEM DEFINITION

Problem Objective:

The primary objective of this research is to develop a wind-powered water pump without the need for an electric motor. Other goals include promoting sustainability, lowering reliance on traditional power sources, utilizing wind energy, and offering an environmentally friendly alternative. For the pumping of water in regions with consistent wind resources.

Problem Definition:

India ranks sixth in terms of energy consumption and eleventh in terms of energy production. India is the energy importer as a result of this significant disparity. The only industry that requires significant development is agriculture. One of the most crucial resources for agriculture is the availability of water. Large amounts of electricity are needed for water pumps to release water from deep reservoirs. There are many isolated

rural areas in India with little to no access to electricity. Wind-powered water pumps, which offer a dependable substitute for obtaining water without depending on the electrical grid, should be employed to close this gap.

IV. METHODOLOGY

Fundamental Components:

Utilizing the wind's kinetic energy to generate mechanical energy for the purpose of pumping water is the goal of wind-powered water pumps. This process consists of several key components:

Wind Turbine (Blades): The main part of the system is the wind turbine, which often has blades that spin when the wind blows. The blades are spinning, capturing the energy of the wind.

Gearing System: When designing the gearing system, which assisted in transferring motion from the blades to the reciprocating pump, the bevel gear arrangement was taken into account.

Pump: A pump that rotates back and forth to extract water from a source and transforms the reciprocating motion into linear motion and transports it to a distribution point or storage tank.

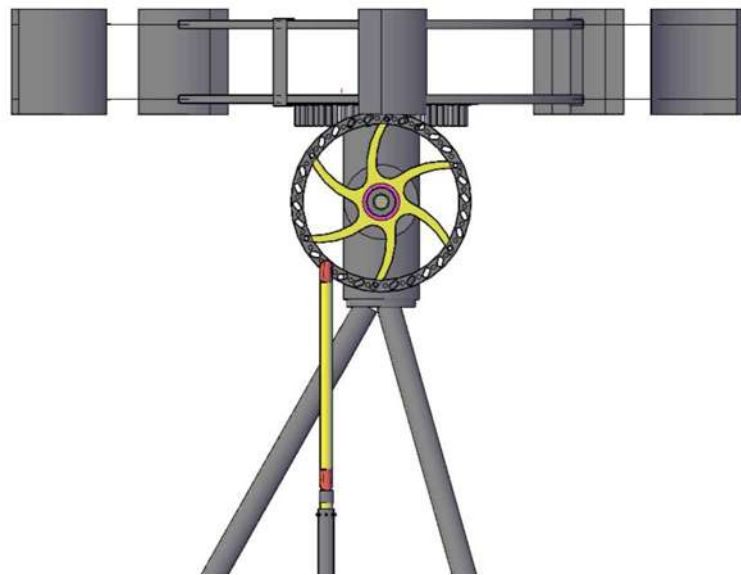


Fig. 4.1: Front View of the Wind Power Water Pump

Working:

A vertical axis windmill powers the system initially. Because in vertical axis windmill the shaft is oriented vertically rather than horizontally like horizontal axis wind turbines are, they can capture wind from any direction. The windmill's blades rotate in response to wind, transforming wind energy into mechanical energy.

The water pump needs to receive the mechanical energy produced by the vertical axis windmill's rotation. Usually, a mechanical transmission system is used for this, which is made up of gear-like arrangements with the help of discs, nuts, and bolts. The water pump is powered by the windmill's mechanical energy. A piston pump powers the water pump. The purpose of the pump is to raise water from a lower source like a well or reservoir to a higher level so that it can be used for drinking water, irrigation, and other uses.

Multiple factors determine how much water can be pumped:

Wind Speed: Faster wind causes the wind turbine to rotate at a faster speed, which increases mechanical energy and water pump productivity.

Pump Efficiency: The volume of water that can be pumped is largely dependent on the pump's efficiency. A greater volume of water can be delivered by more efficient pumps with the same mechanical energy.

Water Source: The depth and accessibility of the water source affect how much power wind-powered systems can pump. Pumping water against gravity may require more energy in deeper wells.

V. RESULTS AND DISCUSSION

More than just a name, "Wind Power Water Pump" is a guarantee of adaptability and effectiveness in water extraction. This clever system is made to manage both depth and distance, guaranteeing a steady supply of water even in difficult circumstances. This system has the ability to easily reach deep underground water sources. The system's architecture makes it possible to pump water over long distances, through obstacles in the

terrain, and to the areas that require it most. Whether it's providing clean water to isolated communities or irrigating crops across large areas.

With an average speed of 14 km/hr this wind powered water pump is capable of discharging 2.84 liters of water per minute.

VI. CONCLUSION:

To sum up, using wind-powered water pumps instead of electricity is a sustainable way to raise water. These pumps use the wind's inherent energy to raise water from lower to higher levels, making irrigation, livestock watering, and water supply possible in isolated or off-grid areas. Their working principle is straightforward but efficient. For communities and individuals looking to access water resources independently, wind-powered water pumps are an affordable and sustainable solution because they have no negative environmental effects and don't require external power sources.

VII. FUTURE SCOPE

Water pumping using wind power is a sustainable and cost-effective way of meeting water needs in areas where electricity is not readily available. The future scope of this technology is promising as the world continues to focus on reducing greenhouse gas emissions and moving towards clean and renewable energy sources. One of the main advantages of water pumping using wind power is that it is a low-maintenance and reliable technology. Wind turbines can last for decades with minimal maintenance, making them a practical solution for remote areas with limited access to spare parts and technical expertise.

REFERENCES

- [1] Jamaludin, Parjono, M G Permadi, G Andari And M T Sapsal, Prototype Design Of Wind Power Water Pump For Irrigation, Iop Conf. Series: Earth And Environmental Science 343, 2019.
- [2] Nabeel N. Al-Mayyahi, Firas LattefHussany, Sara Jumah Flayh, Design Of Water Pumping Mechanism Using Wind Energy (Analysis Study), Misan Journal Of Engineering Sciences, Vol. 1, No. 2, December 2022.
- [3] Jadhav Hitesh Ramesh, Dhamapurkar Mahesh Mahadev, Sakre Viraj Vivek, Design And Fabrication Of Water Pumping Using Wind Power, International Research Journal Of Modernization In Engineering Technology And Science, Volume: 05, Issue: 04, April-2023.