

## Hybrid Cryptosystem for Preserving Data Privacy in IoT Application

Nahla F.Ibrahim<sup>1</sup> and Johnson I. Agbinya<sup>2</sup>

<sup>1</sup>Faculty of Computer Science, King Khalid University, 00966Abha, Saudi Arabia

<sup>2</sup>School of Information Technology and Engineering, Melbourne Institute of Technology, 0061Melbourne  
Victoria, Australia

Corresponding Author: Nahla F.Ibrahim

---

**Abstract:** Over the recent years, several smart applications like RFID's, sensor networks, including industrial systems, critical infrastructures, private and public spaces as well as portable and wearable applications in which highly constrained devices are interconnected, typically communicating wirelessly with one another, working in concert to accomplish some task. Advanced safety and security mechanisms can be very important in all of these areas. Light weight cryptography enables secure and efficient communication between networked smart objects. On the stand feistel table, proposed algorithm is a suitable lightweight cryptographic algorithm used in medium security systems. It is a 64-bit block cipher and requires 16-bit key to encrypt the data. Simulations result showed the proposed algorithm provides substantial security in just five encryption rounds. From simulation result, we concluded that our proposed algorithm gave a good performance when compared with DES and showed a good alternative to proposed as network security and privacy on Internet of Things environments.

**Key word:** Internet of Things (IoT); lightweight cryptography; Feistel Networks; KHAZAD

---

### I. Introduction

The Internet of Things (IoT) promises to be the next big revolution of the World Wide Web. It has a very wide range of applications, ranging from smart cities, smart homes, monitoring radiation levels in nuclear plants, animal tracking, health surveillance and a lot more. When objects, people or animals are provided with unique identifiers and are able to communicate with each other without human intervention, it is referred as the Internet of Things or Internet of Objects. Four major challenges in IoT are power management, the deployment of IPv6, standardization and security [8]. Data Security is a primary issue in any wireless cryptographic protocol, a cryptographic algorithm is an essential part in network security. One of the state-of-the-art techniques is "Lightweight Cryptography (LWC)". Lightweight cryptography is a cryptographic algorithm or protocol tailored for implementation in constrained environments like RFID's, sensor networks, healthcare, the Internet of Things, cyber-physical systems, distributed control systems, indicators, measuring devices, custom controllers, smart power system etc.[9].

The rest of the paper is organized as follows, in Section 1 is the introduction parts, in Section 2 presents the related work of this research, in Section 3, architecture and functioning of the proposed algorithm is presented, in Section 4, Evaluation of proposed algorithm is discussed, in Section 5, Simulation Result and finally some conclusions are given in Section 6.

### II. Related work

This section shows some other works from related fields. A number of studies of the eminent researchers are done in literature to improve the security and privacy in IoT. We discussed more relevant and recent available solutions for security, privacy and hence improve small cryptographic algorithms for IoT.

In [10], authors proposed of a secure data transmission using AES in IoT. The main idea for this work, proposed mechanism increase throughput and execution time by enhanced AES algorithm in which number of rounds or generation of private key increases that will help in generation of more secure encrypted key through which devices can transmit data in a secure manner.

In [11], authors proposed an ultra-lightweight cipher ANU. ANU is a balanced Feistel-based network. The main idea for this solution Algorithm is designed to generate the good S-box according to lemma and also to find the minimum number of active S-boxes.

From [12] author designed RECTANGLE block cipher based on the bit-slice technique in a lightweight manner, hence to achieve not only a very low-cost in hardware but also a very competitive performance in software. As a result, RECTANGLE adopts the SP-network structure. The substitution layer (S-layer) consists of  $16 \times 4$  S-boxes in parallel. The permutation layer (P-layer) is composed of 3 rotations.

In [13], it was the study of the modified blowfish algorithm implemented on FPGA. There are two changes proposed which are round of feistel, the number of rounds was reduced to 8 rounds and 4 rounds., and The key size was changed from 448 bit to 384 bit, 320 bit, 256 bit, 192 bit, 128 bit and 64 bit.. The result showed that FPGA implementation of the modified blowfish algorithm provides a reducing the rounds of feistelreduce total encryption time, give greater throughput and not affect the avalanche effect significantly. It also showed that larger key length needs more resources to implement in FPGA. However, traditional cryptography focus on the solutions in providing high levels of security, ignoring the requirements of constrained devices.

### III. Proposed algorithm

The proposed algorithm is a symmetric block cipher that can be effectively used for encryption and safeguarding of data. The objective is to reduce execution time. In the symmetric key algorithm, the encryption process consists of encryption rounds; each round is based on some mathematical functions to create confusion and diffusion. Increase in a number of rounds ensures better security and privacy but eventually results in the increase in the consumption of constrained energy [1]. The cryptographic algorithms are usually designed to take on an average 10 to 20 rounds to keep the encryption process strong enough that suits the requirement of the system. However the proposed algorithm is restricted to just five rounds only, to further improve the energy efficiency, each encryption round includes mathematical operations that operate on 4- bits of data. The details of the proposed algorithm design are discussed in section 3.1, 3.2 and 3.3.

Another vital process in symmetric key algorithms is the generation of the key. The key generation process involves complex mathematical operations. In WSN environment these operations can be performed wholly on decoder [6],[2],[3], on the contrary in IoT the node themselves happens to serve as the Internet node, therefore, computations involved in the process of key generation must also be reduced to the extent that it ensures necessary security. In the sub-sections, the process of key expansion and encryption are discussed in detail. Some notations used in the explanation are shown in Table 1

**Table 1.** Notations

Notation	Function
$\oplus$	XOR
$\#  $	Concatenation

#### 3.1 Key Expansion

The most fundamental component in the processes of encryption and decryption is the key. It is this key on which the entire security and privacy of the data is dependent, should this key be known to an attacker, the secrecy of the data is lost. Therefore necessary measures must be taken into account to make the revelation of the key as difficult as possible. The feistel based encryption algorithms are composed of several rounds, each round requiring a separate key. The encryption/decryption of the proposed algorithm is composed of five rounds; therefore, we require five unique keys for the said purpose. To do so, we introduce a key expansion block which is described in this section. To maintain the security and privacy against exhaustive search attack the length of the true key  $k_t$  must be large so that it becomes beyond the capability of the enemy to perform  $2^{k_t-1}$  encryptions for key searching attacks. The proposed algorithm is a 64-bits block cipher, which means it requires the 16-bits key to encrypt 64-bits of data. A cipher key ( $K_c$ ) of 64-bits is taken as an input from the user. This key shall serve as the input to the key expansion block. The block upon performing substantial operations to create confusion and diffusion in the input key will generate five unique keys. These keys shall be used in the encryption/decryption process and are strong enough to remain indistinct during an attack.

The architecture of the key expansion block is adopted from Muhammad Usman et al. [7 Figure 1] with 16-bit modification. The block uses an  $f$ -function which is influenced by tweaked Khazad block cipher [4]. Khazad is not a feistel cipher and it follows wide trail strategy. The wide trail strategy is composed of several linear and non-linear transformations that ensure the dependency of output bits on input bits in a complex manner [5]. Detailed explanations of the components of key expansion are discussed below:

- a. In the first step, the 64-bits cipher key ( $K_c$ ) divided into 4-bits segments.
- b. The  $f$ -function on 16-bits data. Then, four  $f$ -functions are used, 16-bits for each  $f$ -function obtained by performing initial substitution of segments of cipher key ( $K_c$ ) as shown in equation (1).

$$K_{b_i} f = \#_{j=1}^4 K_{c_{4(i-1)+j}} \quad (1)$$

where  $i = 1$  to 4 for first four rounds keys.

- c. The next step is to get ( $K_{a_i} f$ ) by passing the 16-bits of ( $K_{b_i} f$ ) to the  $f$ -function as shown in equation (2).

$$K_{a_i} f = f(K_{b_i} f) \quad (2)$$

- d.  $f$ -function is comprised of P and Q table. This table performs linear and non-linear transformations resulting in confusion and diffusion as illustrated in Figure 1.

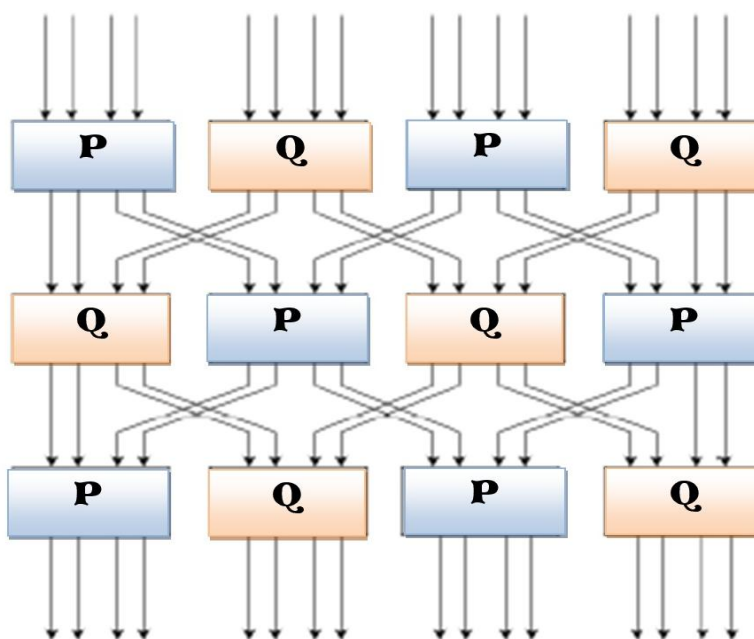


Figure1. KHAZAD F-Function

e. The transformations made by P and Q are shown in the Tables 2.

Table2. P TABLE & Q TABLE

$Kc_i$	0	1	2	3	4	5	6	7	8	9	A	B	C	D	E	F
$P(Kc_i)$	3	F	E	0	5	4	B	C	D	A	9	6	7	8	2	1
$Q(Kc_i)$	9	E	5	6	A	2	3	C	F	0	4	D	7	B	1	8

- f. The output of each  $f$ -function is arranged in  $4 \times 4$  matrices named  $K_m$  shown below:
- g. To obtain round keys,  $K_1, K_2, K_3,$  and  $K_4$  the matrices are transformed into four arrays of 16-bits that we call round keys ( $K_r$ ). The arrangements of these bits are shown in equations (7), (8), (9) and (10).

$$K_{m_1} = \begin{bmatrix} Ka_1f_1 & Ka_1f_2 & Ka_1f_3 & Ka_1f_4 \\ Ka_1f_5 & Ka_1f_6 & Ka_1f_7 & Ka_1f_8 \\ Ka_1f_9 & Ka_1f_{10} & Ka_1f_{11} & Ka_1f_{12} \\ Ka_1f_{13} & Ka_1f_{14} & Ka_1f_{15} & Ka_1f_{16} \end{bmatrix} \quad (3)$$

$$K_{m_2} = \begin{bmatrix} Ka_2f_1 & Ka_2f_2 & Ka_2f_3 & Ka_2f_4 \\ Ka_2f_5 & Ka_2f_6 & Ka_2f_7 & Ka_2f_8 \\ Ka_2f_9 & Ka_2f_{10} & Ka_2f_{11} & Ka_2f_{12} \\ Ka_2f_{13} & Ka_2f_{14} & Ka_2f_{15} & Ka_2f_{16} \end{bmatrix} \quad (4)$$

$$K_{m_3} = \begin{bmatrix} Ka_3f_1 & Ka_3f_2 & Ka_3f_3 & Ka_3f_4 \\ Ka_3f_5 & Ka_3f_6 & Ka_3f_7 & Ka_3f_8 \\ Ka_3f_9 & Ka_3f_{10} & Ka_3f_{11} & Ka_3f_{12} \\ Ka_3f_{13} & Ka_3f_{14} & Ka_3f_{15} & Ka_3f_{16} \end{bmatrix} \quad (5)$$

$$K_{m_4} = \begin{bmatrix} Ka_4f_1 & Ka_4f_2 & Ka_4f_3 & Ka_4f_4 \\ Ka_4f_5 & Ka_4f_6 & Ka_4f_7 & Ka_4f_8 \\ Ka_4f_9 & Ka_4f_{10} & Ka_4f_{11} & Ka_4f_{12} \\ Ka_4f_{13} & Ka_4f_{14} & Ka_4f_{15} & Ka_4f_{16} \end{bmatrix} \quad (6)$$

$$K_1 = a_4 \# a_3 \# a_2 \# a_1 \# a_5 \# a_6 \# a_7 \# a_8 \# a_{12} \# a_{11} \# a_{10} \# a_9 \# a_{13} \# a_{14} \# a_{15} \# a_{16} \quad (7)$$

$$K_2 = b_1 \# b_5 \# b_9 \# b_{13} \# b_{14} \# b_{10} \# b_6 \# b_2 \# b_3 \# b_7 \# b_{11} \# b_{15} \# b_{16} \# b_{12} \# b_8 \# b_4 \quad (8)$$

$$K_3 = c_1 \# c_2 \# c_3 \# c_4 \# c_8 \# c_7 \# c_6 \# c_5 \# c_9 \# c_{10} \# c_{11} \# c_{12} \# c_{16} \# c_{15} \# c_{14} \# c_{13} \quad (9)$$

$$K_4 = d_{13} \# d_9 \# d_5 \# d_1 \# d_2 \# d_6 \# d_{10} \# d_{14} \# d_{15} \# d_{11} \# d_7 \# d_3 \# d_4 \# d_8 \# d_{12} \# d_{16} \quad (10)$$

$$K_5 = [K_1 \oplus K_2] \oplus [K_3 \oplus K_4] \quad (11)$$

### 3.2 Encryption

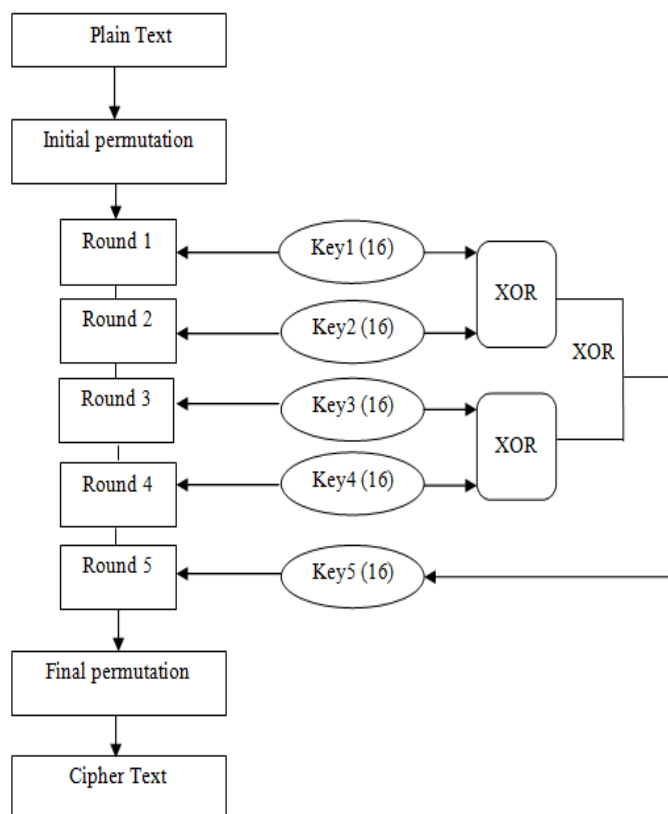


Figure2. The overall feistel structure of the proposed algorithm (Encryption)

### 3.3 F- function

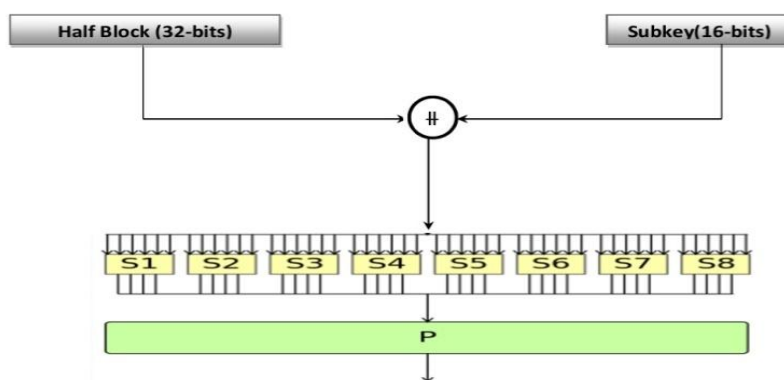


Figure3. F-Function of feistel table

## 1. Performance Evaluation Criteria

For the investigation, the parameter was used to quantify the information required for a comparison between the existing algorithm and the proposed algorithm and these parameters are as under:

2. Simulation Result

1) Execution Time: One of the fundamental parameter for the evaluation of the algorithm is the amount of time it takes to encode and decode a particular data. The proposed algorithm is designed for the IoT environment must consume minimal time and offer considerable security.

Table 3. Simulation Execution time analysis

Size in KB	Execution time in seconds			
	DES		Proposed	
	Encryption	Decryption	Encryption	Decryption
1kb	0.03174 μs	0.02409 μs	0.01755 μs	0.02155 μs
2kb	0.06553 μs	0.04646 μs	0.03821 μs	0.04531 μs
3kb	0.09278 μs	0.06993 μs	0.05854 μs	0.06285 μs
4kb	0.15349 μs	0.13883 μs	0.13919 μs	0.12309 μs
5kb	0.25106 μs	0.11734 μs	0.17007 μs	0.13222 μs
6kb	0.20692 μs	0.37106 μs	0.10848 μs	0.1203 μs
7kb	0.22737 μs	0.16718 μs	0.16186 μs	0.14466 μs
8kb	0.29727 μs	0.1975 μs	0.15017 μs	0.1602 μs
9kb	0.3885 μs	0.419 μs	0.3396 μs	0.21626 μs
10kb	0.51769 μs	0.22768 μs	0.20074 μs	0.22584 μs
11kb	0.61275 μs	0.29221 μs	0.20505 μs	0.2321 μs
12kb	0.43877 μs	0.31564 μs	0.25016 μs	0.42116 μs
13kb	0.74024 μs	0.40837 μs	0.31113 μs	0.47666 μs
14kb	0.57657 μs	0.48971 μs	0.28846 μs	0.44239 μs
15kb	0.5557 μs	0.36846 μs	0.38238 μs	0.51531 μs
16kb	0.62726 μs	0.82712 μs	0.43352 μs	0.61591 μs
17kb	0.6557 μs	0.58424 μs	0.52655 μs	0.47965 μs
18kb	0.92108 μs	0.42427 μs	0.3411 μs	0.4537 μs
19kb	0.98009 μs	0.50696 μs	0.39018 μs	0.60169 μs
20kb	0.92426 μs	0.51126 μs	0.48906 μs	0.62268 μs
21kb	0.72864 μs	0.65158 μs	0.38049 μs	0.64932 μs
22kb	1.00189 μs	0.51178 μs	0.41083 μs	0.47379 μs
23kb	0.82872 μs	0.55041 μs	0.40814 μs	0.55816 μs
24kb	1.03691 μs	0.57684 μs	0.5619 μs	0.7565 μs
25kb	1.0916 μs	0.57624 μs	0.45512 μs	0.72021 μs
26kb	1.10969 μs	0.59566 μs	0.49943 μs	0.55834 μs
27kb	1.23345 μs	0.62056 μs	0.49599 μs	0.62417 μs
28kb	1.10219 μs	0.6362 μs	0.57352 μs	0.86583 μs
29kb	1.24727 μs	0.7159 μs	0.72167 μs	0.69988 μs
30kb	1.23211 μs	0.67718 μs	0.73301 μs	0.79049 μs
31kb	1.18384 μs	0.71916 μs	0.70869 μs	0.76343 μs
32kb	1.33618 μs	0.76203 μs	0.7814 μs	0.83589 μs
33kb	1.42411 μs	0.77853 μs	0.98596 μs	0.83514 μs
34kb	1.54723 μs	0.77563 μs	0.74604 μs	0.72639 μs
35kb	1.52819 μs	0.86422 μs	0.69782 μs	0.70533 μs
36kb	1.55052 μs	0.8603 μs	0.86441 μs	0.94902 μs
37kb	1.5211 μs	0.8793 μs	0.8862 μs	1.0228 μs
38kb	1.83828 μs	0.85912 μs	1.01302 μs	0.93109 μs
39kb	3.48261 μs	1.17661 μs	1.84727 μs	1.9179 μs
40kb	2.0692 μs	0.91521 μs	0.96106 μs	1.33887 μs
41kb	1.63982 μs	1.30434 μs	1.05304 μs	0.90455 μs
42kb	1.71927 μs	0.98342 μs	1.06949 μs	1.18973 μs
43kb	1.74491 μs	1.07152 μs	1.1184 μs	1.16339 μs
44kb	1.69389 μs	1.403 μs	1.16538 μs	1.07883 μs
45kb	1.8437 μs	1.14866 μs	1.21717 μs	0.97487 μs
46kb	1.9135 μs	1.15587 μs	1.19667 μs	1.05892 μs
47kb	1.88982 μs	1.149 μs	1.18878 μs	0.99888 μs
48kb	1.96608 μs	1.20581 μs	1.26077 μs	1.11909 μs
49kb	1.97174 μs	1.15027 μs	1.40752 μs	1.15778 μs
50kb	1.97742 μs	1.21187 μs	1.31672 μs	1.14579 μs

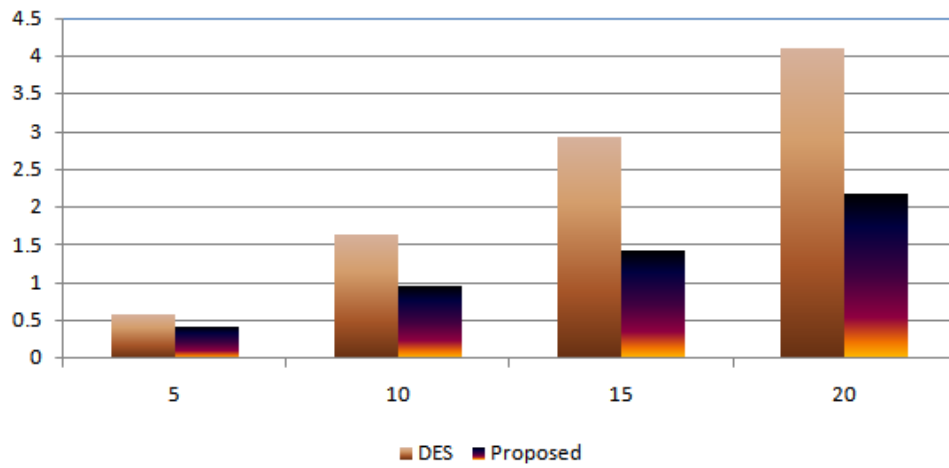


Figure4.Column of Execution time (Encryption)

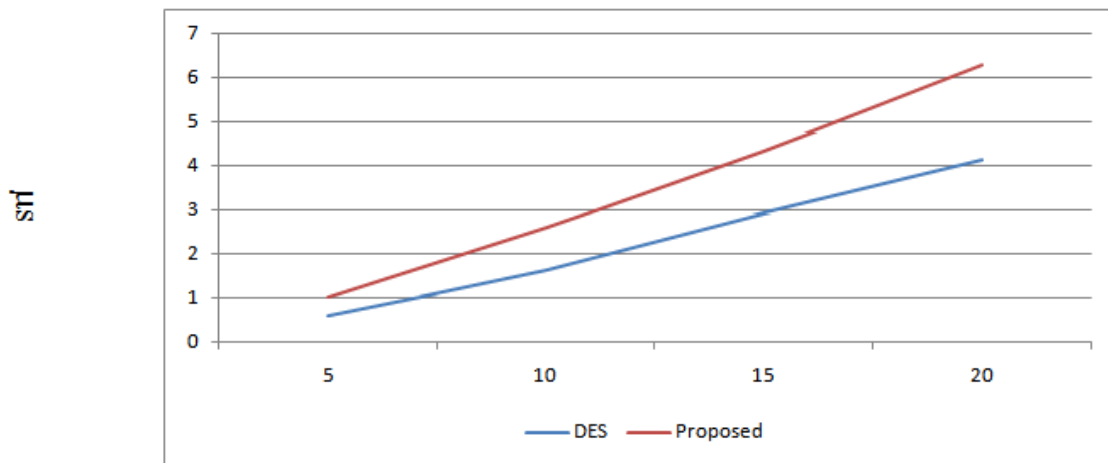


Figure5.Line of Execution time (Encryption)

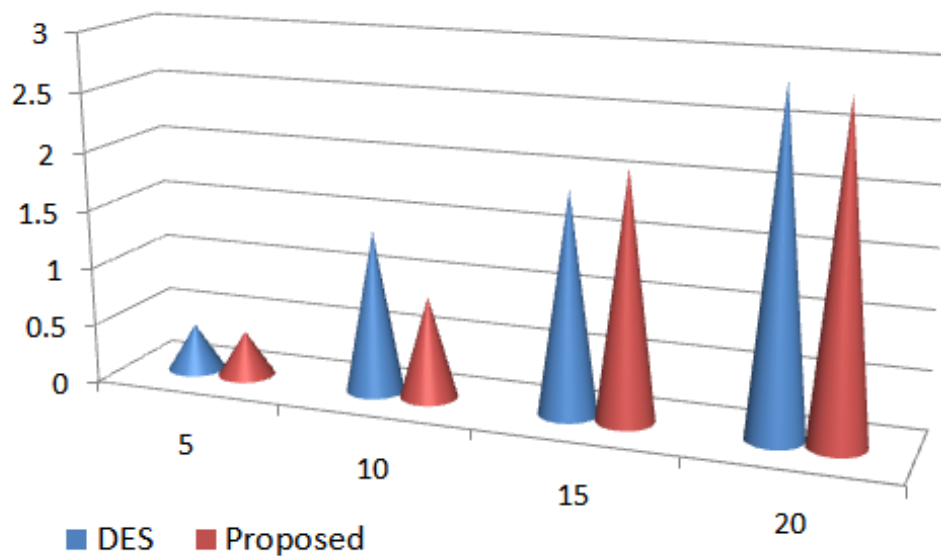


Figure6.Column of Execution time (Decryption)

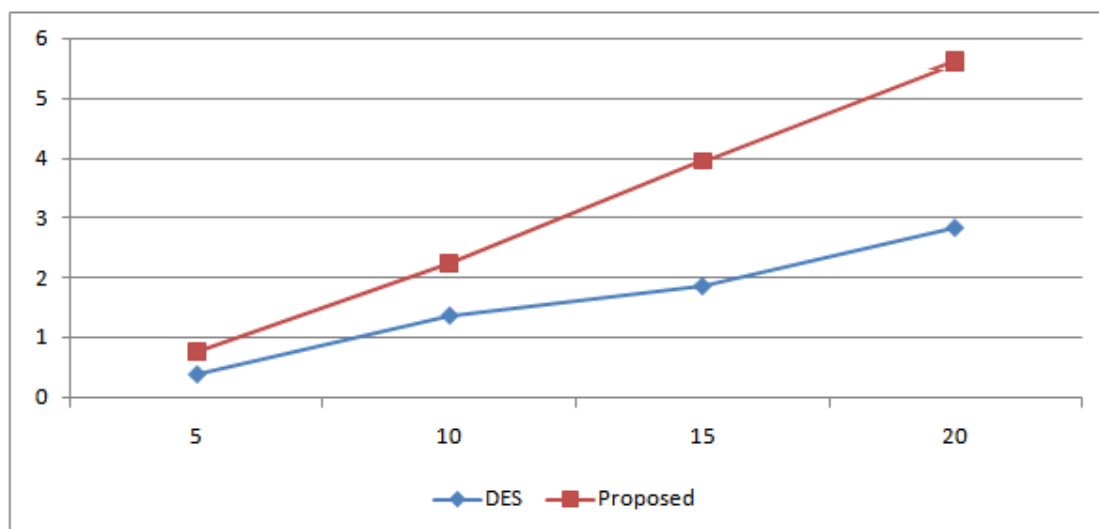


Figure7.Line of Execution time (Decryption)

- 2) *Avalanche effect*: the "avalanche" quantifies the effect on the cipher of the change of one bit in the text, for instance, the Strict Avalanche Criterion states that with the change of any one input bit, every output bit shall change with a probability of exactly 1/2.

**Avalanche effect Formula:**

$$\text{Avalanche effect} = \frac{\text{Number of flipped bits in ciphertext}}{\text{Number of bits in the ciphertext}} \quad (12)$$

Key used: standard key

Table4. Avalanche effect comparison

Plain Text	Avalanche Effect(Proposed)			Avalanche Effect(DES)		
	Original Hex	Hex after one letter Modification	AE	Original Hex	Hex after one letter Modification	AE
Proposed	0xc0f7e08aa7182bc9	0xafc459fafec5e7d6	83.3333	0x9a1ee7d180d92caa	0x8038c68e84b529ca	72.222222
Original	0xdd366f5417f2b65	0x7f2d914712b01bf5	72.2222	0xaa0e4b69f0520bfd	0xa813b777ebbc8640	77.777778
DES	0xff77d6784136a934	0x9d2e1b997aa46791	88.8889	0x586dbf69ef0e779f	0x2f286f635e2d9af1	77.777778
Effect	0x43b23d42d251cd57	0x543261153c66c305	66.6667	0x77781cf74b766dec	0xdb88ebb76e65ec50	77.777778
Boolean	0x4638973b3c6409a9	0xac4fbaf5773d67dd	83.3333	0x69cc499ca73419a6	0x69e702c76a23c386	72.222222

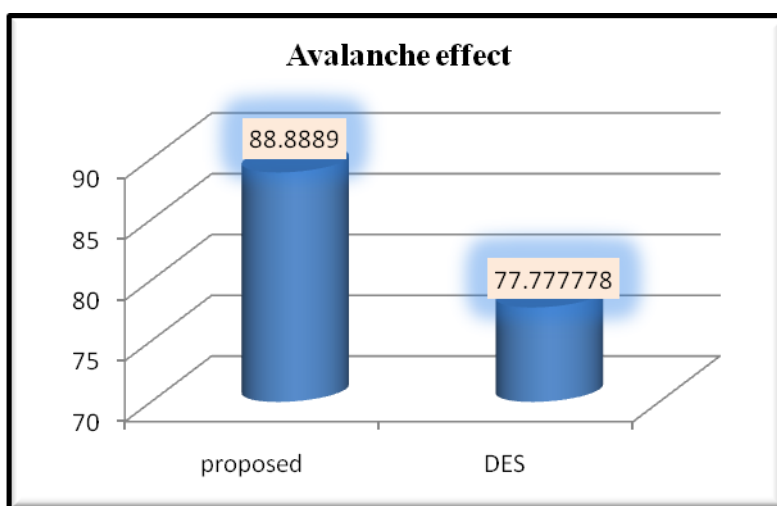


Figure8. Avalanche effect



**Table5.** Comparison of average proposed with DES

Algorithm	Execution time		Avalanche effect
	Encryption	Decryption	
Proposed	0.01755 $\mu$ s	0.02155 $\mu$ s	88.89
DES	0.03174 $\mu$ s	0.02409 $\mu$ s	77.7

#### IV. Conclusion and Remarks

On an average the parameters proving the best algorithm considered are execution time and Avalanche effect. From the observations made it is clear that the proposed algorithm excels the performance of DES in both execution time and Avalanche effect to a maximum of 257 proving the suitability in preserving security and privacy in any IoT based application.

#### Author contributions

Nahla F. and Johnson I. have contributed to design lightweight cryptographic algorithm for resource constraint that are typically used in the IoT based application. Johnson I. contributed with reviewing the whole paper.

#### Funding

This research received no external funding.

#### Acknowledgments

The authors would like to express their thanks the infinite grace of the Almighty God is of essential importance and I solemnly offer my regards for His grace which enabled peace and harmony for this work.

#### Conflicts of Interest

The authors declare no conflict of interest.

#### References

- [1]. R. Chandramouli; S. Bapatla; K. Subbalakshmi; and R. Uma. Battery Power-Aware Encryption. *ACM Transactions on Information and System Security (TISSEC)* 2006, vol. 9, no. 2, (pp. 162–180).
- [2]. S. Khan; M. S. Ibrahim; H. Amjad; K. A. Khan; and M. Ebrahim. FPGA Implementation of 64 bit secure Force Algorithm Using Full Loop Unroll Architecture, *IEEE International Conference on Control System, Computing and Engineering (ICCSCE)* 2006, (pp. 1–6).
- [3]. S. Khan; M. S. Ibrahim; M. Ebrahim; and H. Amjad. FPGA Implementation of Secure Force (64-bit) Low Complexity Encryption Algorithm. *International Journal of Computer Network and Information Security* 2015, vol. 7, no. 12, p. 60.
- [4]. P. Barreto and V. Rijmen. The KHAZAD Legacy-Level Block Cipher. Primitive submitted to NESSIE 2000, vol. 97.
- [5]. J. Daemen. Cipher and Hash Function Design Strategies Based on Linear and Differential Cryptanalysis," Ph.D. dissertation, Doctoral Dissertation, March 1995, KU Leuven, 1995. [Google Scholar]
- [6]. M. Ebrahim and C. W. Chong. Secure Force: A Low-Complexity Cryptographic Algorithm for Wireless Sensor Network (WSN). in *Control System, Computing and Engineering (ICCSCE)* 2013, IEEE, (pp. 557–562).
- [7]. Muhammad Usman; Irfan Ahmed; M. Imran Aslam; Shujaat Khan and Usman Ali Shah. SIT: A Lightweight Encryption Algorithm for Secure Internet of Things. (*IJACSA*) *International Journal of Advanced Computer Science and Applications* 2017, Vol. 8, No. 1, (pp. 402-411)
- [8]. B. Vinayaga Sundaram; Ramnath. M.; Prasanth. M and Varsha Sundaram. J. Encryption and Hash based Security in Internet of Things. 3rd International Conference on Signal Processing Communication and Networking (ICSCN) 2015, IEEE, (pp.1-6).
- [9]. Kiran Kumar. V. G.; Sudesh Jeevan Mascarenhas; Sanath Kumar and Viven Rakesh J Pais. Design And Implementation Of Tiny Encryption Algorithm. *Int. Journal of Engineering Research and Applications* 2015, Vol. 5, Issue 6, (Part -2) (pp.94-97).
- [10]. Deepika Khambra; Poonam Dabas. Secure Data Transmission using AES in IoT. *International Journal of Application or Innovation in Engineering & Management (IJAIEM)* 2017. Web Site: www.ijaiem.org Email: editor@ijaiem.org. Volume 6, Issue 6, June. ISSN 2319 - 4847. (pp. 283- 289).
- [11]. Gaurav Bansod; Abhijit Patil; Swapnil Sutar and Narayan Pisharoty. ANU: an ultra-lightweight cipher design for security in IoT. *SECURITY AND COMMUNICATION NETWORKS Security Comm. Networks* 2016 Published online in Wiley Online Library (wileyonlinelibrary.com). DOI: 10.1002/sec.1692.
- [12]. Wentao Zhang; Zhenzhen Bao; Dongdai Lin; Vincent Rijmen, Bohan Yang and Ingrid Verbauwhede. RECTANGLE: A Bit-slice Lightweight Block Cipher Suitable for Multiple Platforms, 2015, Vol. 58: 122103(15). (pp. 1-22).
- [13]. Kurniawan Nur Prasetyo ST.; Yudha Purwanto, ST.; MT. and Denny Darlis; S. Si.; MT. AN IMPLEMENTATION OF DATA ENCRYPTION FOR INTERNET OF THINGS USING BLOWFISH ALGORITHM ON FPGA. 2<sup>nd</sup> (ICoICT) 2014, IEEE, (pp.75-79).